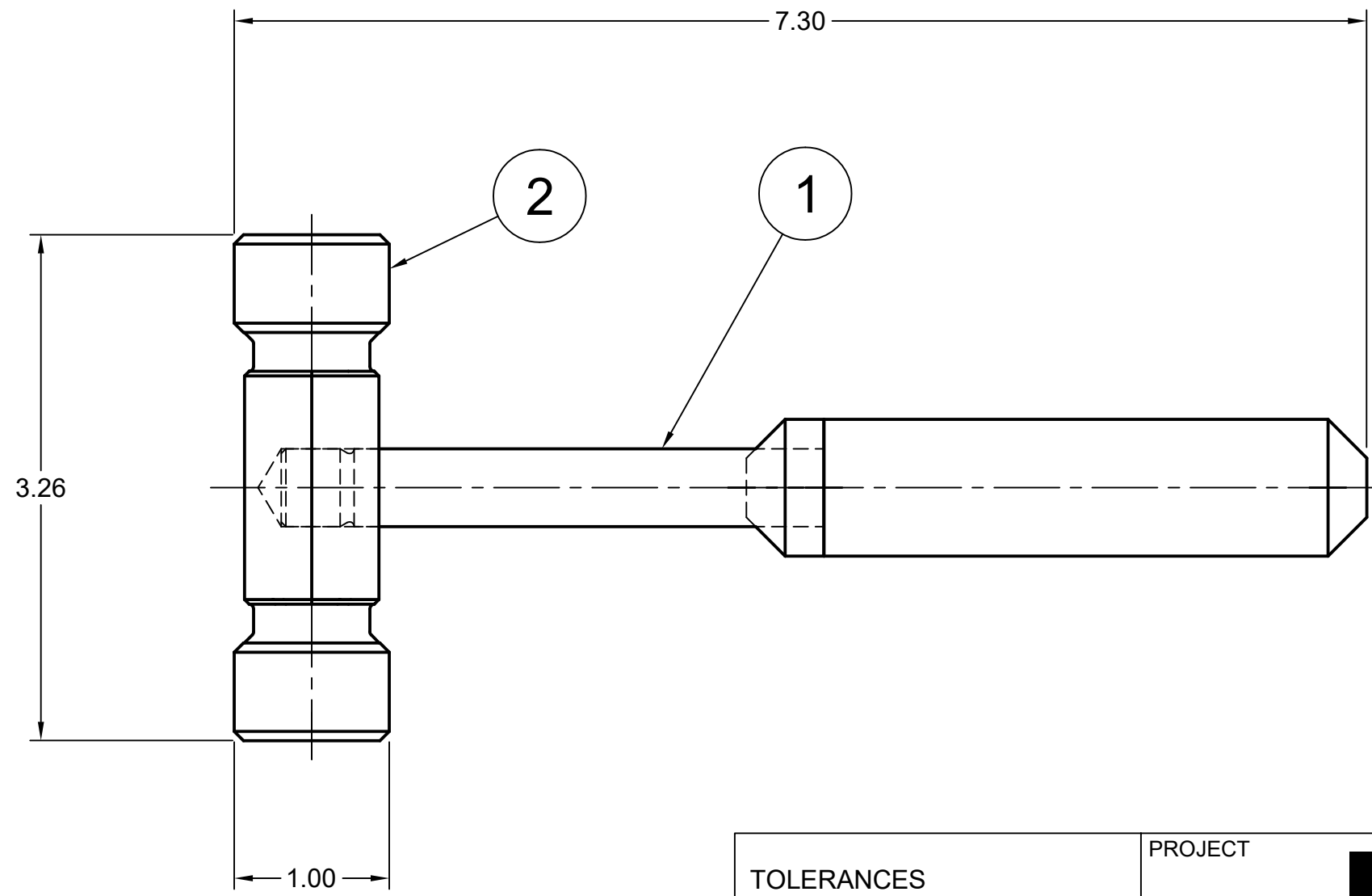


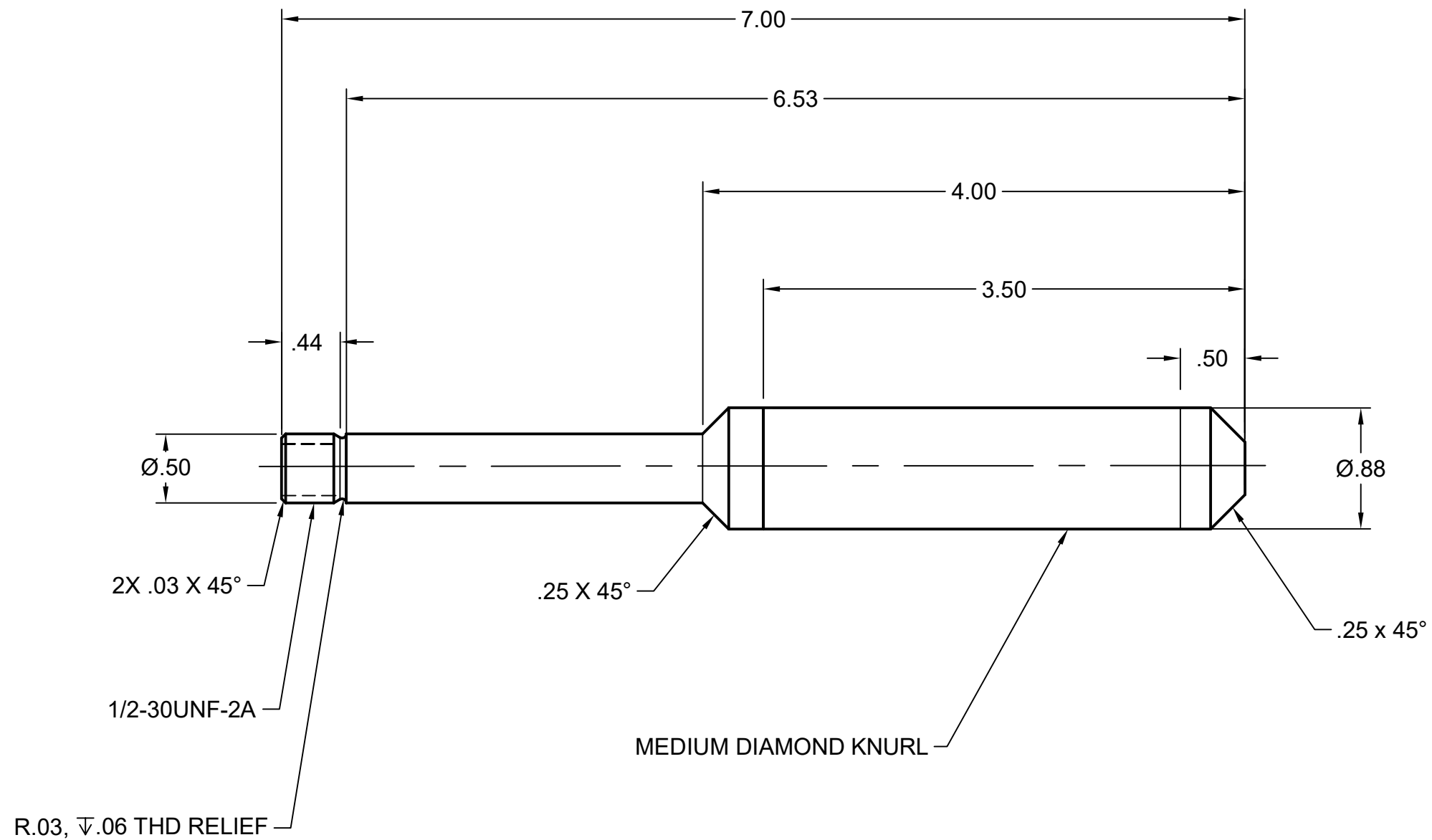
ITEM NO.	PART NUMBER	DESCRIPTION	MATERIAL	STOCK SIZE	WEIGHT	VENDOR	QTY.
1	1001-1	HAMMER HANDLE	1018 CRS	0.88 DIA X 12 INCHES LONG	3 LBS.	METALS DEPOT	1
2	1001-2	HAMMER HEAD	BRASS	1.00 DIA X 4 INCHES LONG	3.53 LBS.	METALS DEPOT	1



NOTES:

1. APPLY LOCTITE 242 THREAD LOCKING COMPOUND (OR EQUIVALENT) TO THE THREADS PER THE MANUFACTURERS SPECIFICATIONS

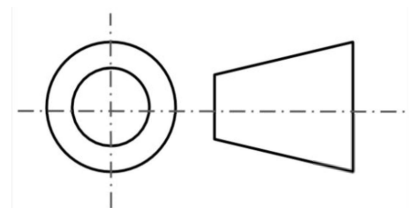
TOLERANCES UNLESS OTHERWISE SPECIFIED: DIMENSIONS ARE IN INCHES TOLERANCES: TWO PLACE DECIMAL ±.01		PROJECT ████████████████████	
		TITLE HAMMER ASSY	
APPROVED HBD	SIZE B	CODE	DWG NO 1000-A
CHECKED HBD			REV 01
DRAWN Alan Bell	2/4/2022	SCALE 1:1	WEIGHT 6.53 LBS. SHEET 1/3



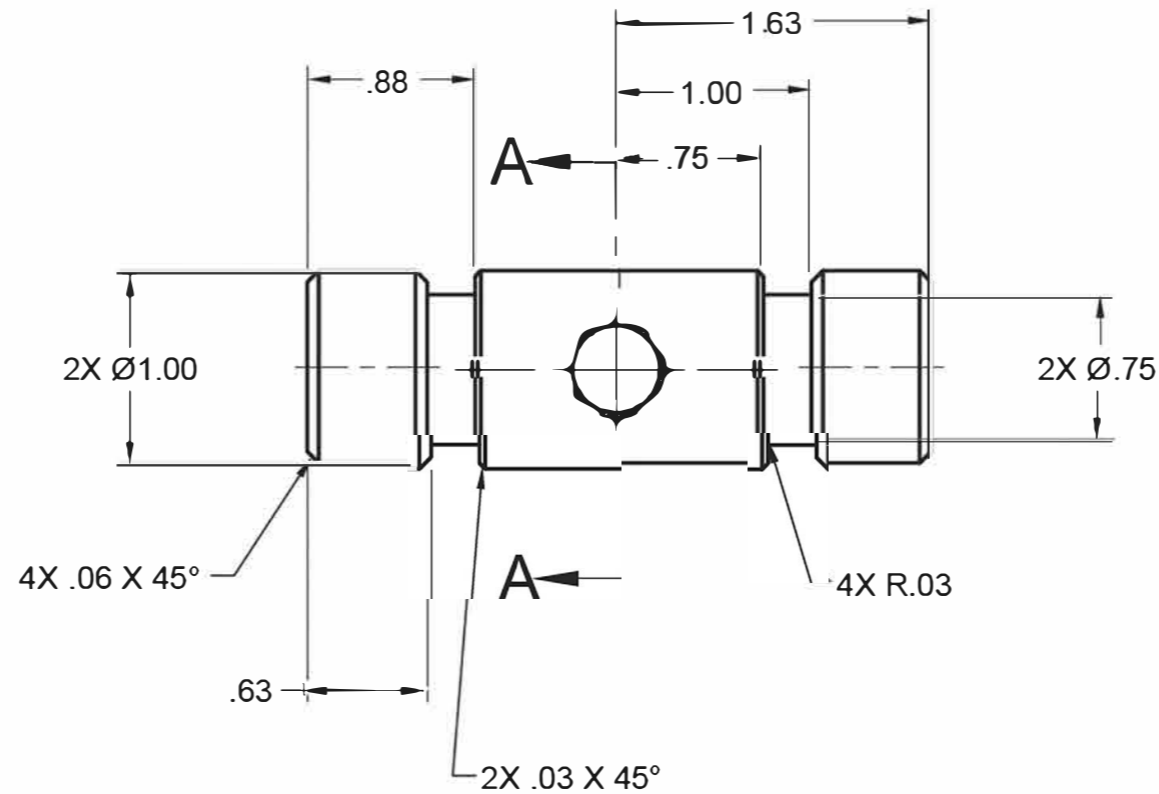
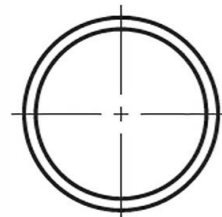
NOTES:

1. MATL: Ø1.00 X 12 INCHES LONG, 1018 STEEL COLD FINISHED ROUND
2. STOCK NUMBER HH8543
3. VENDOR: METALS DEPOT
4. BREAK ALL SHARP EDGES
5. FINISH ALL OVER 32 MICROINCHES
6. FINISH: BLACK OXIDE COATING
7. THE LENGTHS VARY BY .10 OF AN INCH
8. THE TENSILE STRENGTH OF THIS MATERIAL IS 30,000PSI.
9. THE COST OF ONE 12 INCH LONG PIECE IS \$6.75.
10. DIMENSIONS AND TOLERANCES PER ASME Y14.5-2009.

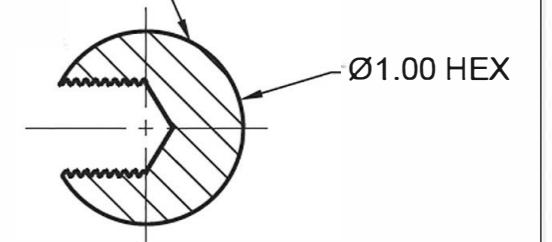
THIRD ANGLE PROJECTION



TOLERANCES UNLESS OTHERWISE SPECIFIED: DIMENSIONS ARE IN INCHES TOLERANCES: ANGULAR: ±.5° TWO PLACE DECIMAL ±.01 THREE PLACE DECIMAL ±.005		PROJECT [REDACTED]		
		TITLE HAMMER HANDLE		
APPROVED HBD	1/27/2022	SIZE	CODE	DWG NO
CHECKED HBD	1/27/2002	B		1000-1
DRAWN Alan Bell	1/26/2022	SCALE 1:1	WEIGHT 3 LB	REV 01
			SHEET 2/3	



1/2-20UNF-2B, ∇ .50
TAP DR ∇ .63

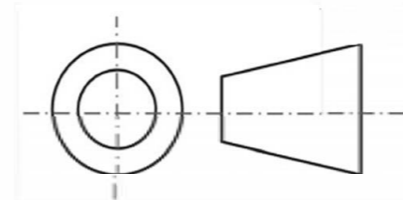


SECTION A-A

NOTES:

1. MATL: \varnothing 1.00 X 4 INCHES LONG, BRASS 360 ROUND
STOCK NUMBER BRR118
VENDOR: METALS DEPOT
2. BREAK ALL SHARP EDGES
3. FINISH ALL OVER 32 MICROINCHES
4. THE FIVE STANDARDS LENGTHS ARE 4-8 INCHES,
AVAILABLE IN .25 INCH INCREMENTS
5. THE COST OF ONE 4 INCH LONG PIECE IS \$7.10.
DIMENSIONS AND TOLERANCES PER ASME Y14.5-2009.

THIRD ANGLE PROJECTION



TOLERANCES UNLESS OTHERWISE SPECIFIED: DIMENSIONS ARE IN INCHES TOLERANCES: ANGULAR: \pm .5° TWO PLACE DECIMAL \pm .01 THREE PLACE DECIMAL \pm .005		PROJECT ████████████████████	
APPROVED HBD		TITLE HAMMER HEAD	
CHECKED HBD	SIZE B	CODE	DWG NO 1000-2
DRAWN Alan Bell	1/27/2022	SCALE 1:1	WEIGHT 3.53 LB
		SHEET 3/3	REV 01